

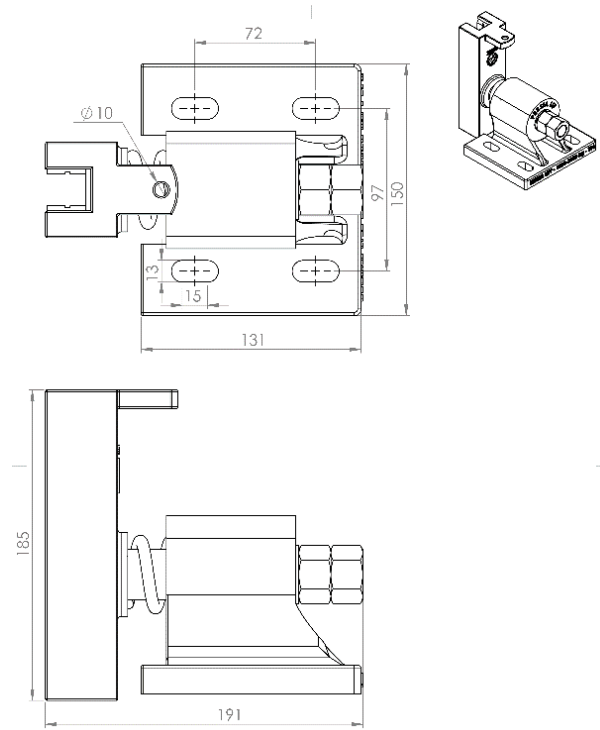


PERDO

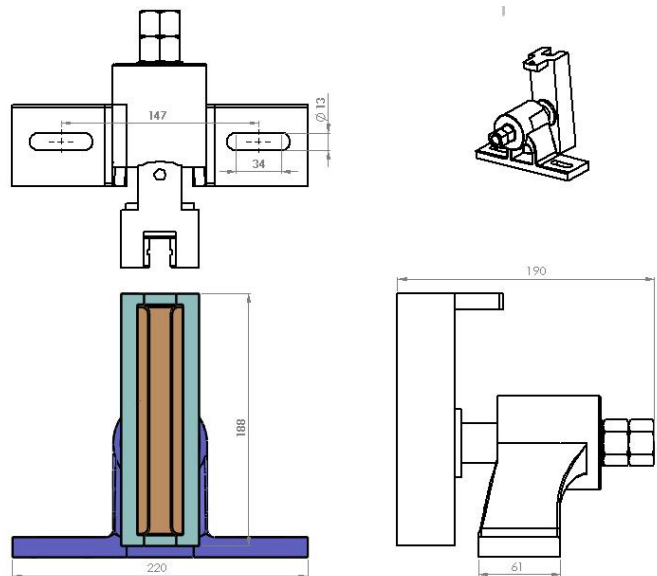
PERSIA

www.persialift.com

Sliding Guide Shoe
Guide rails : T16
Rated speed : 1 m/s
Allowable gross mass ≤ 2000 kg
Material body : Ductil iron
Material shoe : Teflon
Weight : 6.7 kg



Sliding Guide Shoe
Guide rails : T16
Rated speed : 1 m/s
Allowable gross mass ≤ 2000 kg
Material body : Ductil iron
Material shoe : Teflon
Weight : 6 kg



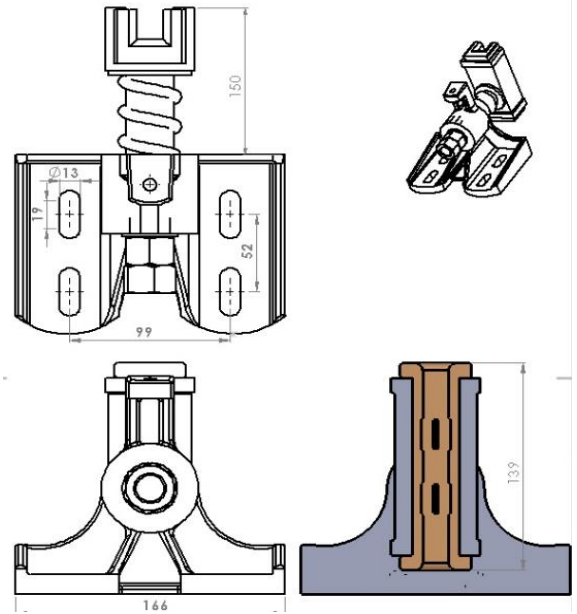


PERDO

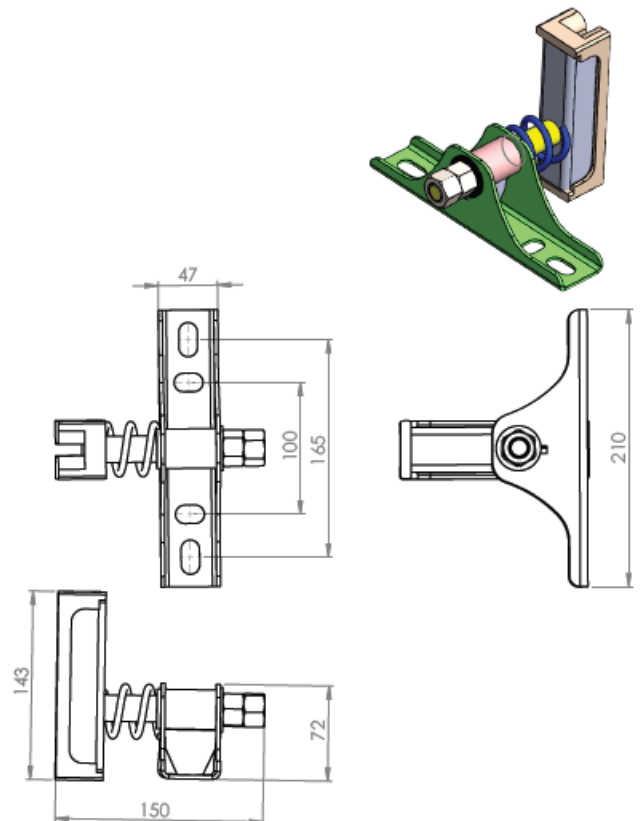
PERSIA

www.persialift.com

Sliding Guide Shoe
Guide rails : T16
Rated speed : 1 m/s
Allowable gross mass ≤ 2000 kg
Material body : Ductil iron
Material shoe : PVC
Weight : 4.9 kg



Sliding Guide Shoe
Guide rails : T9
Rated speed : 1 m/s
Allowable gross mass ≤ 1000 kg
Material body : Steel
Material shoe : PVC
Weight : 1.5 kg



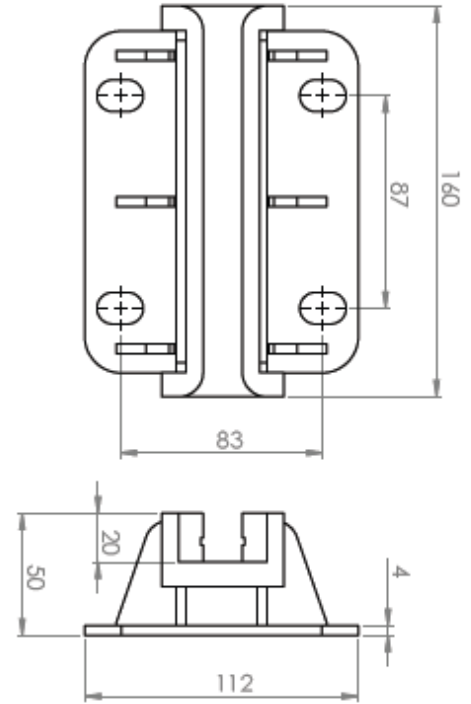


PERDO

PERSIA

www.persialift.com

Hydraulic Guide Shoe
 Guide rails : T9 & T16
 Rated speed : 1 m/s
 Allowable gross mass \leq 2000 kg
 Material body : Steel
 Material shoe : Teflon
 Weight : 1.1 kg



Counter weight Guide Shoe
 Guide rails : T5 & T9
 Rated speed : 1 m/s
 Allowable gross mass \leq 2000 kg
 Material body : Steel
 Material shoe : PVC
 Weight : 0.35 – 0.5 kg

