



PERDO

PERSIA

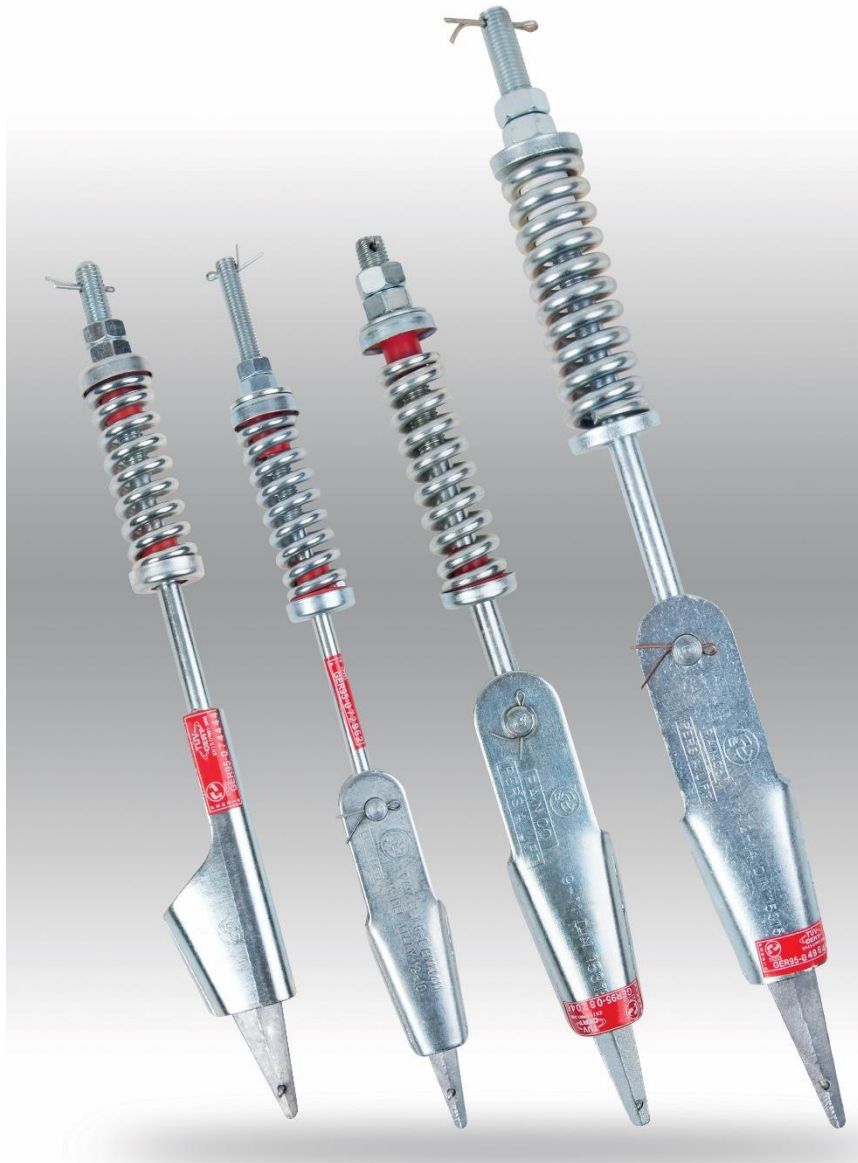
www.persialift.com

Rope Fastening

Rope fastening acc. to EN 13411 in combination with our eye bolts fulfil the requirement of EN 81-1, to withstand at least 80% of the minimum breaking force even.

Rope termination are to be secured against rotation.

The best and highest quality producers of mechanical parts and elevator safety



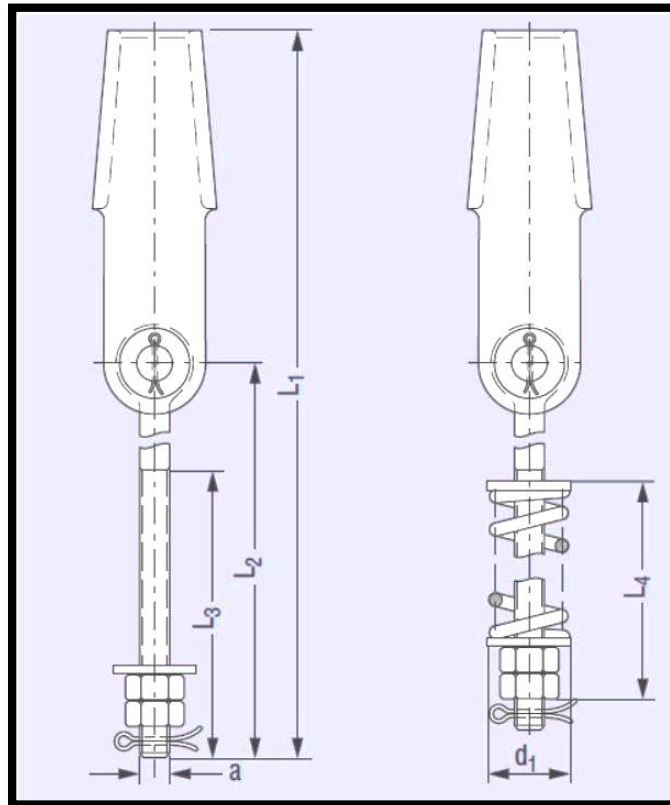


PERDO

PERSIA

www.persialift.com

Symmetric wedge socket



Rope- ϕ	a	L ₁	L ₂	L ₃	L ₄	d ₁
6-8	M12	430	300	150	130	38
9-11	M16	465	300	120	160	42
12	M18	500	310	140	185	50
12-14	M20	595	400	210	200	50



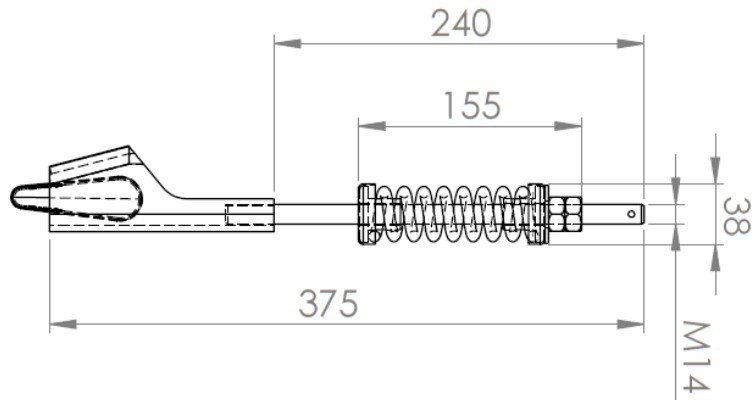
PERDO

PERSIA

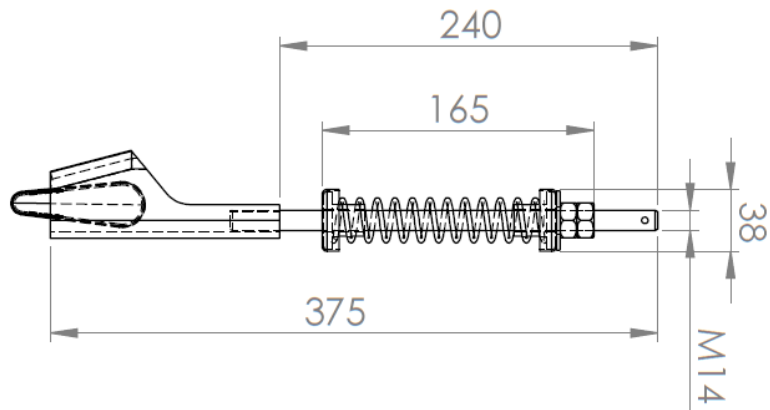
www.persialift.com

Asymmetric wedge socket For rope 10 ϕ

With spring wire 7 mm for traction system



With spring wire 3 mm for hydraulic system



With spring buffer for hydraulic system

